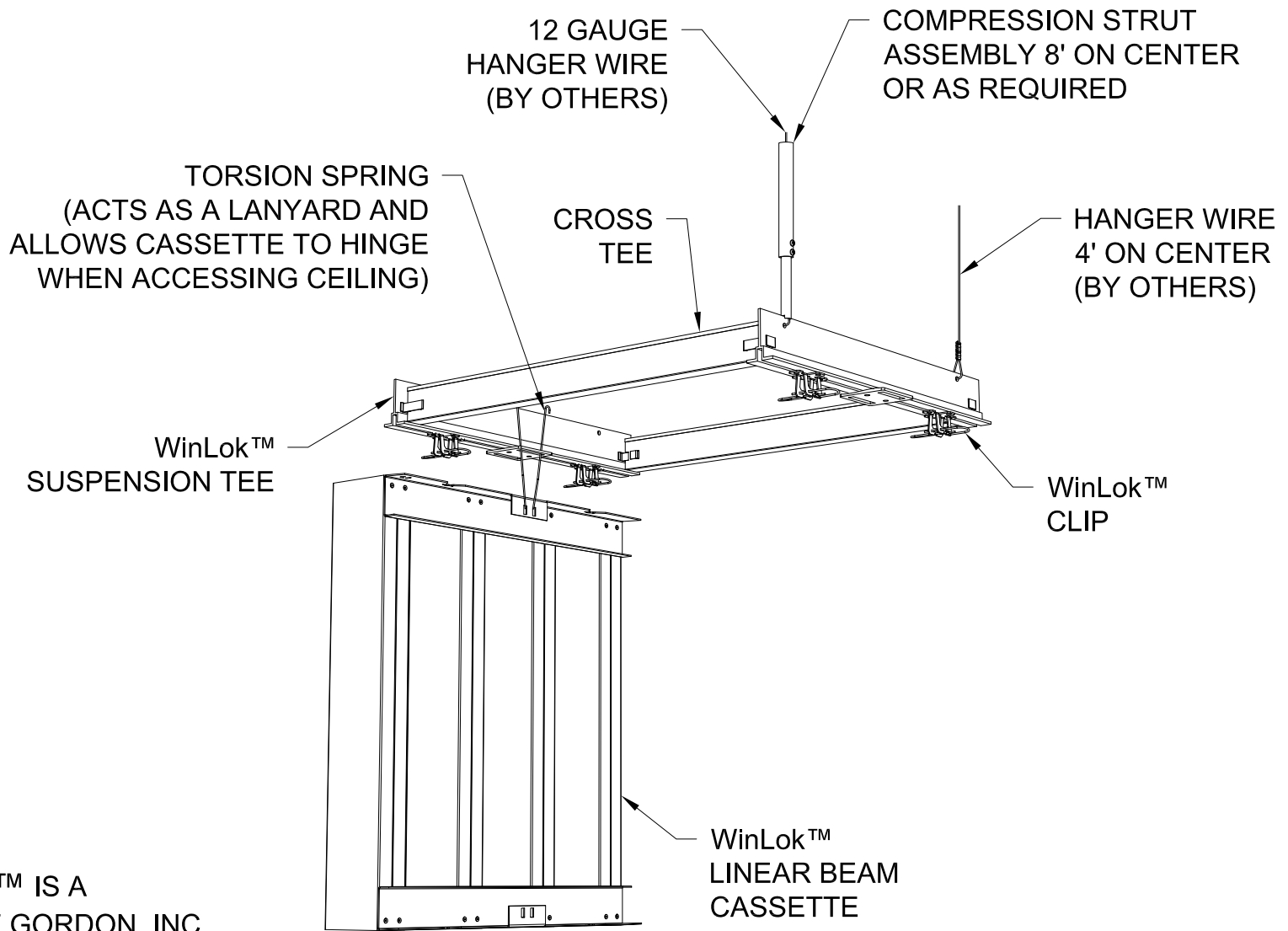


WinLok™ IS A
 TRADEMARK OF GORDON, INC.
 U.S. Patent #10,113,317 B1

GORDON © 5023 Hazel Jones Rd.
 Bossier City, LA 71111
 800.747.8954
 GORDON-INC.COM
 sales@gordon-inc.com
 ARCHITECTURAL+ENGINEERED SOLUTIONS

CEILINGS WINLOK BEAM BAFFLE CASSETTE ISOMETRIC ASSEMBLY

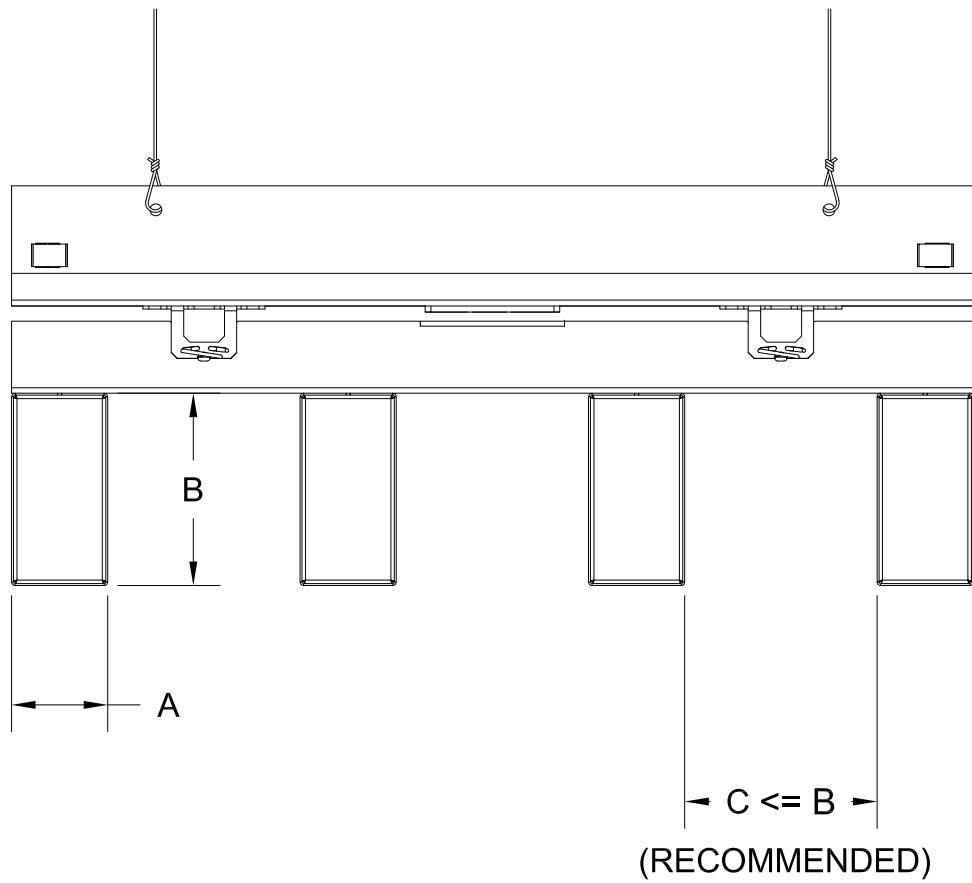


WinLok™ IS A
 TRADEMARK OF GORDON, INC.
 U.S. Patent #10,113,317 B1

GORDON © 5023 Hazel Jones Rd.
 Bossier City, LA 71111
 800.747.8954
 GORDON-INC.COM
 sales@gordon-inc.com

ARCHITECTURAL+ENGINEERED SOLUTIONS

CEILINGS
 WINLOK BEAM BAFFLE CASSETTE
 ISOMETRIC ASSEMBLY - HINGED



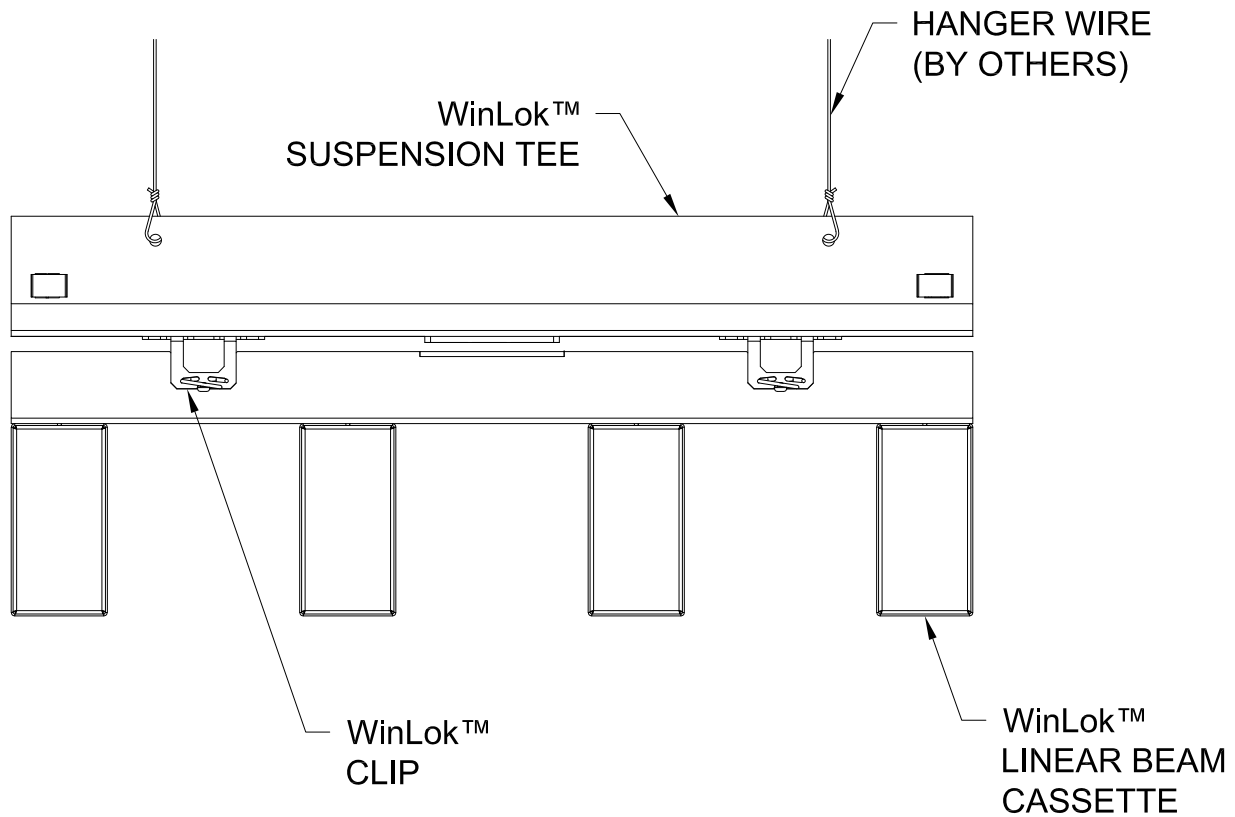
DIMENSIONS	
A	B
1"	4" - 5"
1 1/2"	4" - 20"
2"	4" - 20"
2 1/2"	4" - 20"
3"	4" - 20"
3 1/2"	4" - 20"
4"	4" - 20"

WinLok™ IS A
 TRADEMARK OF GORDON, INC.
 U.S. Patent #10,113,317 B1

GORDON®
 ARCHITECTURAL+ENGINEERED SOLUTIONS

5023 Hazel Jones Rd.
 Bossier City, LA 71111
 800.747.8954
 GORDON-INC.COM
 sales@gordon-inc.com

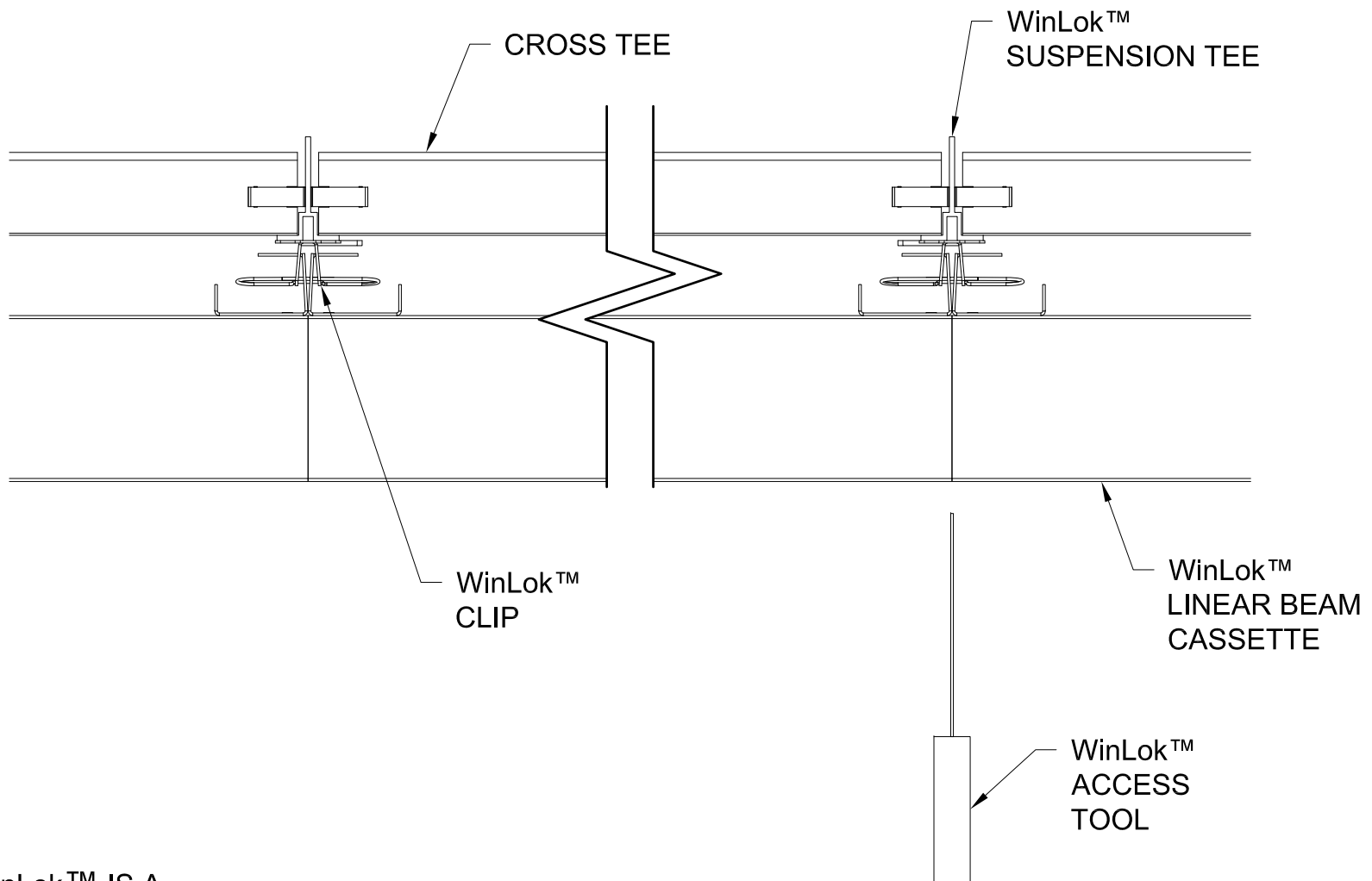
CEILING
 WINLOK BEAM BAFFLE CASSETTE
 SIZE AND SPACING DETAIL



WinLok™ IS A
 TRADEMARK OF GORDON, INC.
 U.S. Patent #10,113,317 B1

GORDON® ARCHITECTURAL+ENGINEERED SOLUTIONS
 5023 Hazel Jones Rd.
 Bossier City, LA 71111
 800.747.8954
 GORDON-INC.COM
 sales@gordon-inc.com

CEILINGS
 WINLOK BEAM BAFFLE CASSETTE
 CLIP DETAIL

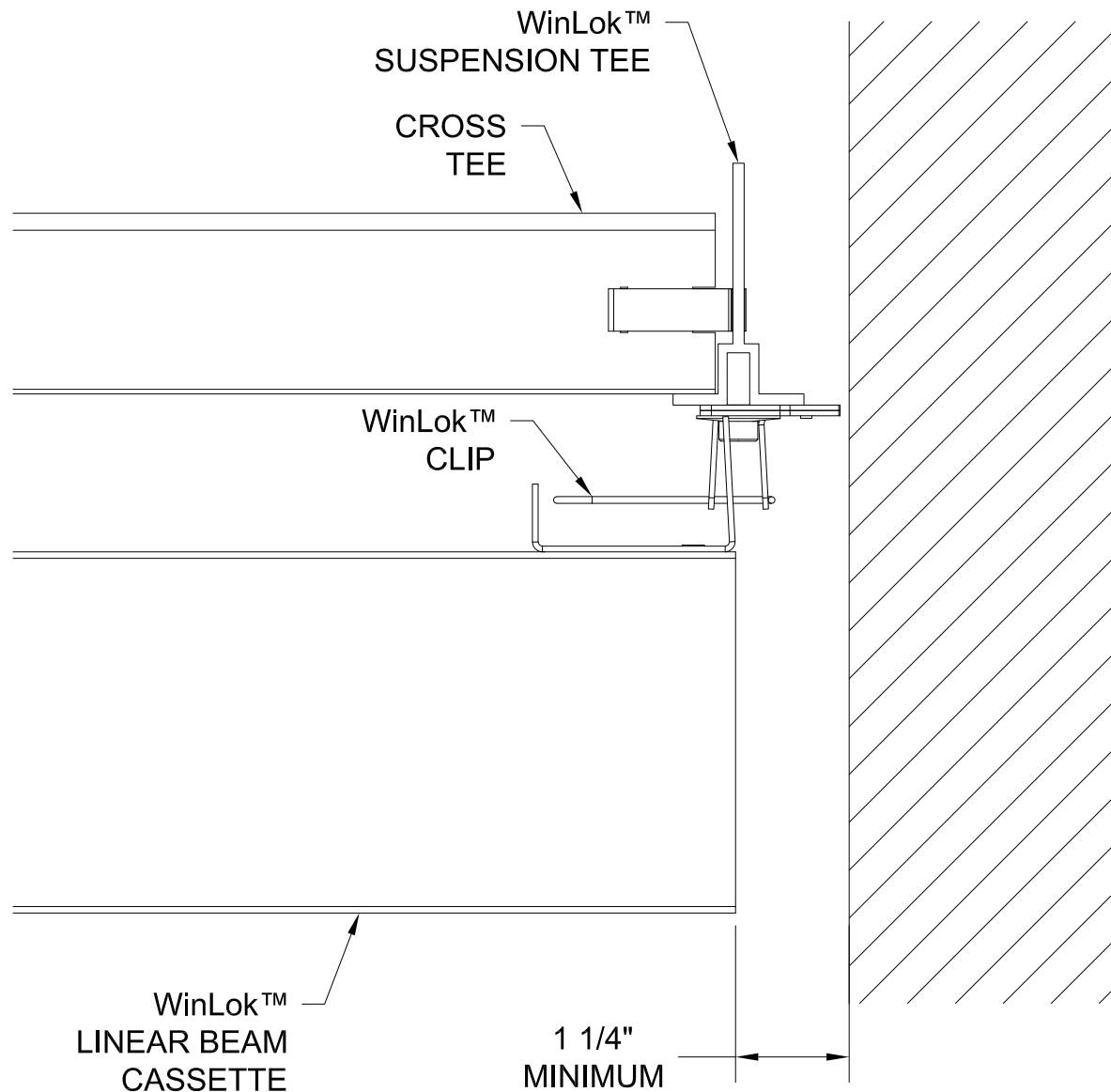


WinLok™ IS A
 TRADEMARK OF GORDON, INC.
 U.S. Patent #10,113,317 B1

GORDON®
 ARCHITECTURAL+ENGINEERED SOLUTIONS

5023 Hazel Jones Rd.
 Bossier City, LA 71111
 800.747.8954
 GORDON-INC.COM
 sales@gordon-inc.com

CEILINGS
 WINLOK BEAM BAFFLE CASSETTE
 ACCESS TOOL DETAIL



WinLok™ IS A
 TRADEMARK OF GORDON, INC.
 U.S. Patent #10,113,317 B1

GORDON®
 ARCHITECTURAL+ENGINEERED SOLUTIONS

5023 Hazel Jones Rd.
 Bossier City, LA 71111
 800.747.8954
 GORDON-INC.COM
 sales@gordon-inc.com

CEILINGS
WINLOK BEAM BAFFLE CASSETTE
PERIMETER DETAIL